

Manuals+

User Manuals Simplified.



xiaomi 6934177720543 Curved Gaming Monitor 34 User Manual

November 9, 2021 November 12, 2021

[Home](#) » [Xiaomi](#) » xiaomi 6934177720543 Curved Gaming Monitor 34 User Manual 📄



Mi Curved Gaming Monitor 34" User Manual

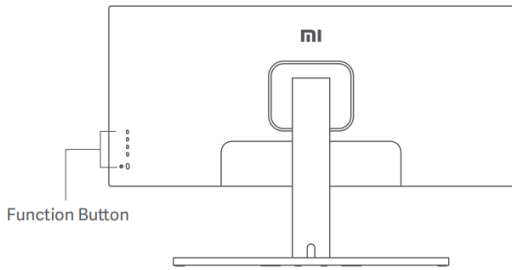
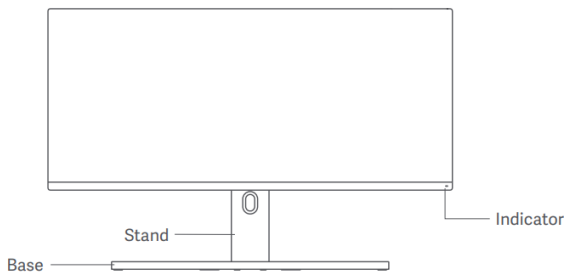
Read this manual carefully before use, and retain it for future reference.

Contents [hide

- [1 Product Overview](#)
- [2 Package Contents](#)
- [3 Installation](#)
- [4 Cable Management](#)
- [5 Wall Mount Installation](#)
- [6 Instructions](#)
- [7 Button Description](#)
- [8 Eye Health](#)
- [9 Precautions](#)
- [10 Troubleshooting](#)
- [11 Specifications](#)
- [12 Regulatory Compliance Information](#)
- [13 Documents / Resources](#)
 - [13.1 References](#)

Product Overview

Monitor Overview



Package Contents



Monitor ×1



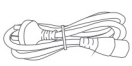
Base ×1



Stand ×1



User Manual ×1



Power Cord ×1



DisplayPort Cable ×1



Thumb Screw ×1



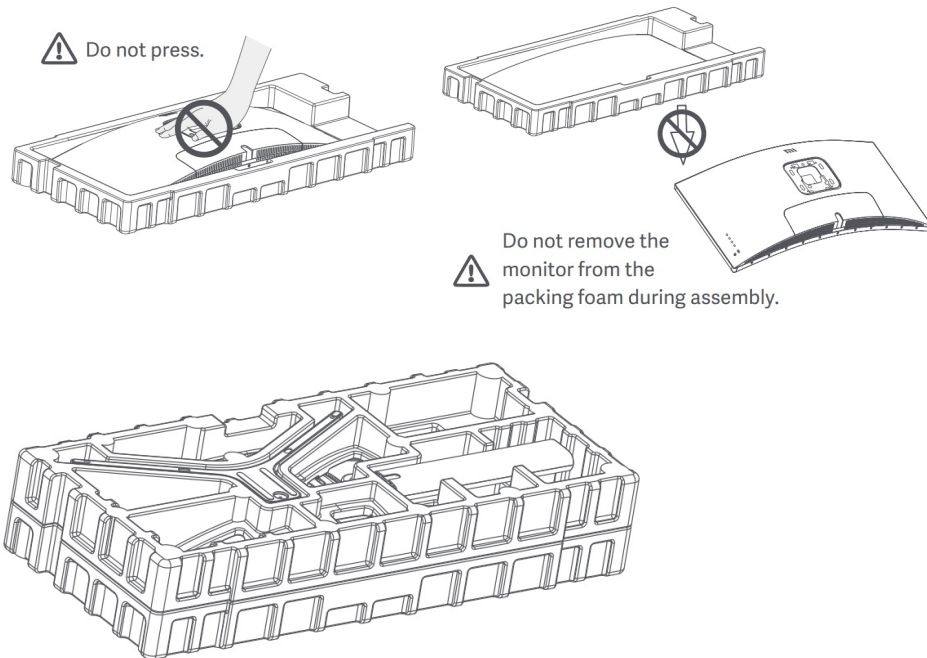
Hex Studs ×4



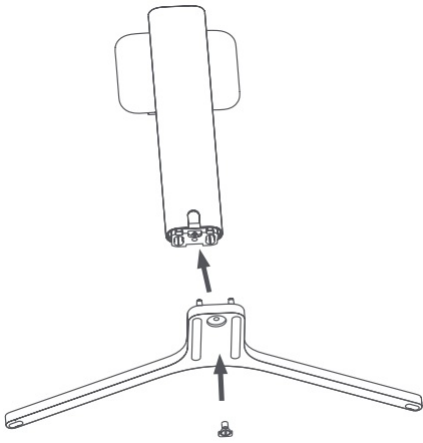
Wall Mount Screws ×4

Installation

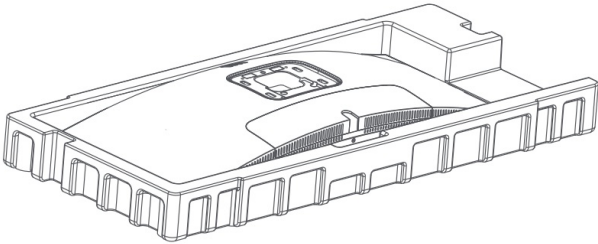
Installing the Base



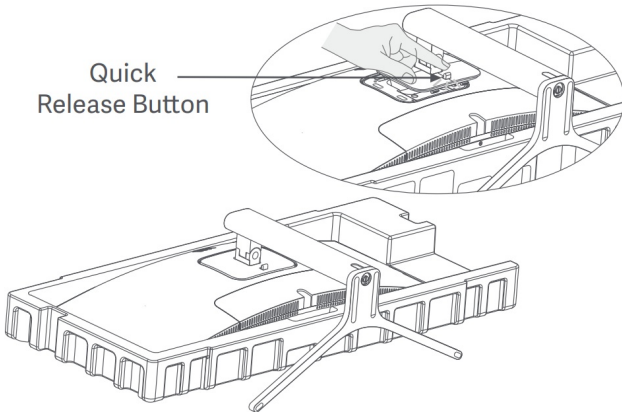
1. Remove the foam-encased component from the box and place it on a flat stable surface. Do not remove the monitor from the packing foam.



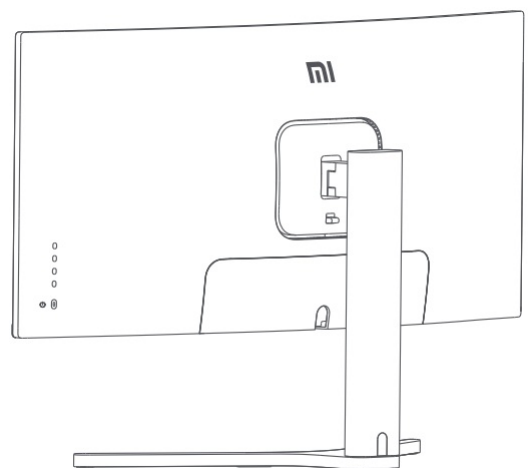
2. Fasten the stand to the base using the included thumbscrew.



3. Remove the top foam layer and the plastic bag to expose the mounting point on the back of the monitor.

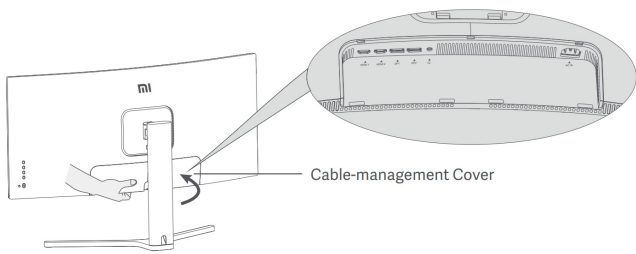


4. Attach the stand* by pressing it into the slot on the back of the monitor until it clicks into place.
* To remove the stand, press the quick-release button.

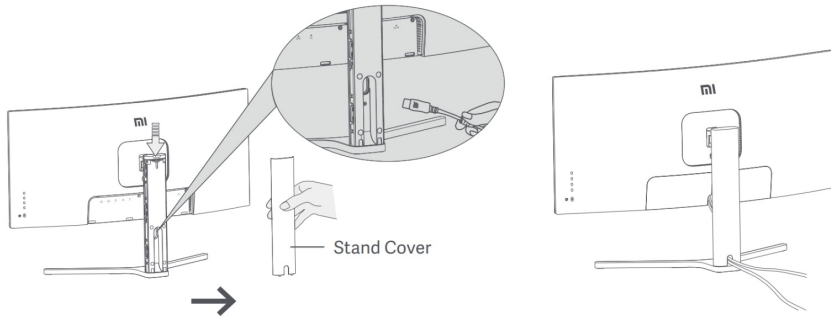


5. Use both hands to carefully take out the fully assembled monitor and place it on a flat stable surface.
Note: To avoid damaging the screen, be careful not to press on the LCD screen when standing it up.

Cable Management



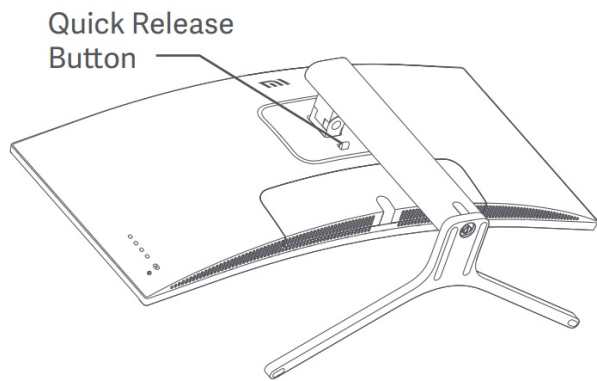
1. Remove the monitor's cable-management cover and the stand's cover.



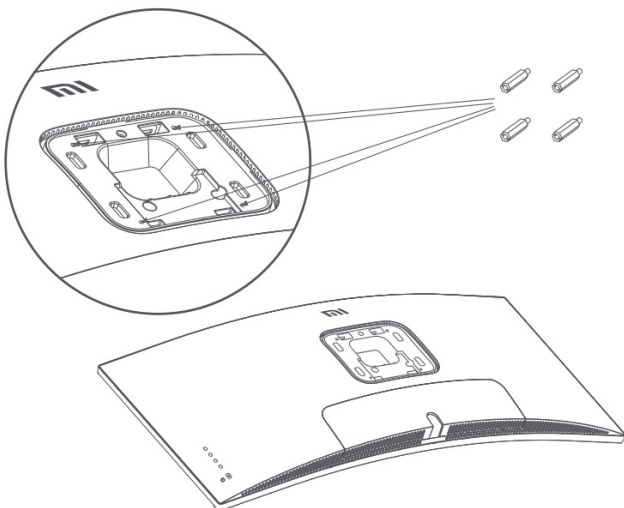
2. Feed the power cord and the signal cable through the opening in the stand and connect them to the monitor. After all, cables are in position, install both covers.

Note: The nameplate of this monitor is near the AC IN port, you can find it by removing the cable-management cover.

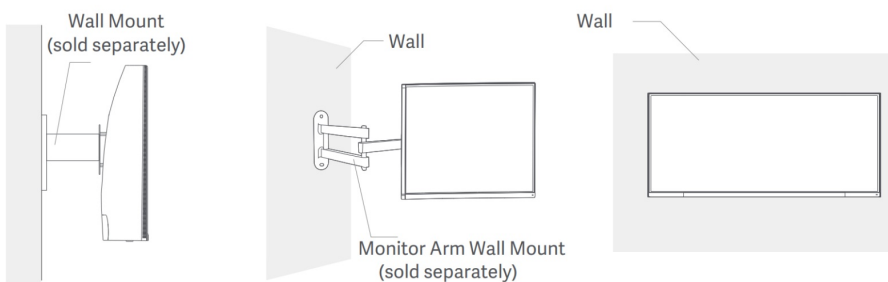
Wall Mount Installation



1. Press the quick-release button to remove the monitor's stand.



2. Fasten the 4 hex studs to the back of the monitor in the positions indicated, then attach the wall mount (sold separately) to the hex studs (mounting holes are spaced 100 x 100 mm apart).



3. Refer to the instructions of the wall mount to mount the monitor.

Note: Do not press on the LCD screen during the mounting process to avoid damaging the screen.

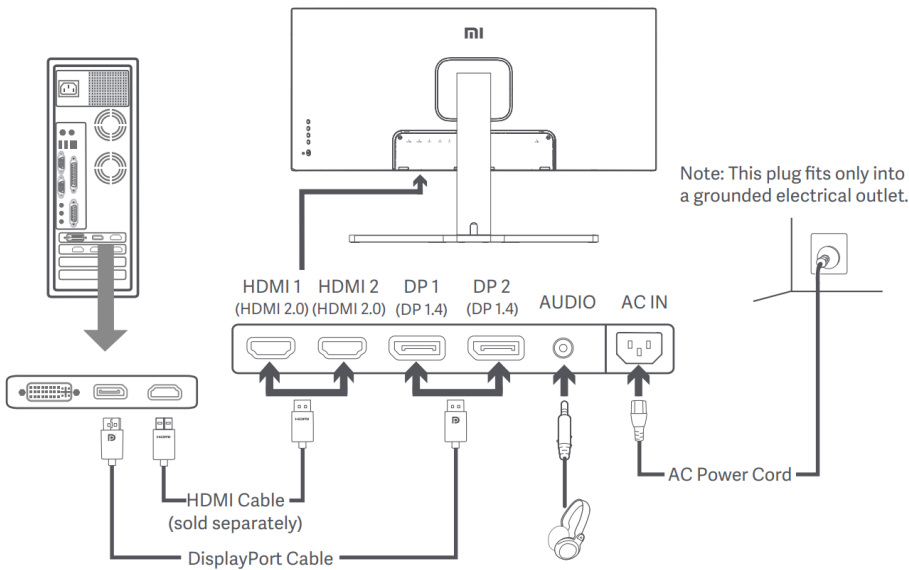
! **Note:** To reduce the risk of falling down, please properly install the wall-mount and take safety protection on the monitor to avoid any injury or damage. Do not place anything on top or hang anything from the wall mount.

Instructions

Connections

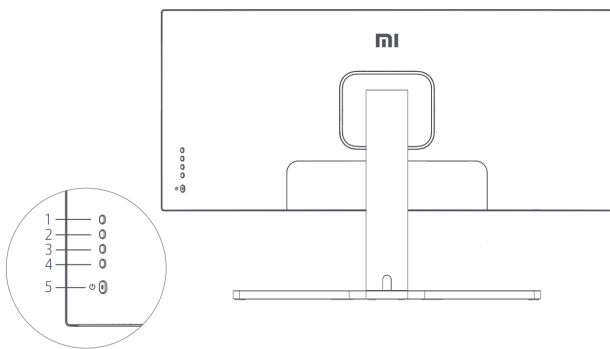
1. Connecting the DisplayPort cable (only when using DisplayPort).
 - a. Make sure the monitor and the computer are both turned off.
 - b. Connect one end of the DisplayPort cable to the computer's DisplayPort output port and the other end to one of the monitor's DisplayPort input ports.
2. Connecting the HDMI cable (sold separately) (only when using HDMI).
 - a. Make sure the monitor and the computer are both turned off.
 - b. Connect one end of the HDMI cable to the computer's HDMI output port and the other end to one of the monitor's HDMI input ports.
3. Connect a headset or any 3.5 mm compatible external audio device to the monitor's audio output port.
4. Plug both the power cords of the computer and the monitor into a power outlet.

! **Note:** If the power cord or DisplayPort cable is damaged, it must be replaced with a genuine power cord or DisplayPort cable purchased from the manufacturer or an after-sales service department.



! **Note:** The audio output port can only be used for audio output.
 DisplayPort (1.4): 3440 × 1440, max. refresh rate 144 Hz.
 HDMI (2.0): 3440 × 1440, max. refresh rate 100 Hz.

Button Description



		Button Function
1	M	Menu/Select
2	▲	Up
3	▼	Down
4	E	Exit/Go Back
5	⏻	On/Off

On/Off Button



Press

Turn On/Off

Indicator Status



Dimmed

Off



Lit

On



Blinking

In sleep mode

Menu Description

Mi Monitor

Standard Mode Enabled



Brightness/Contrast

Brightness



Image

Dynamic Brightness



Picture Quality Settings

Black Level



Smart Mode

Contrast



Window Settings

DCR



Settings

Main Menu	Submenu	Description	Adjustable Range	Default
Brightness /Contrast	Brightness	Adjust the monitor's brightness	0-100	80
	Dynamic Brightness	Adjust the monitor's dynamic brightness	On/Off	Off
	Black Level	Adjust the monitor's black level	0-100	50
	Contrast	Adjust the monitor's contrast	0-100	75
Image	DCR	Adjust the monitor's dynamic contrast ratio (DCR)	On/Off	Off
	Color Temperature	Adjust the monitor's color temperature	Standard/Warm/ Cool/Custom	Standard
	Hue	Adjust the monitor's hue	0-100	50
	Saturation	Adjust the monitor's saturation	0-100	50

	Gamma	Adjust the monitor's gamma	1.8/2.0/2.2/2.4/2.6	2.2
	Aspect Ratio	Adjust the monitor's aspect ratio	Full Screen/16:9/1:1/Auto	Full Screen
	Sharpness	Adjust the monitor's sharpness	0-100	50
PQ Settings	Response Time	Adjust the monitor's response time	High/Medium/Low/Off	Off
	Noise Reduction	Adjust the monitor's noise reduction	High/Medium/Low/Off	Off
	Motion Response Time	Reduces motion blur at high refresh rates	On/Off	Off
	Standard Mode	Set to standard mode		
	Eco Mode	Set to eco mode		
Smart Mode	Game Mode	Set to game mode		
			Only one mode can be selected at a time	Standard Mode
	Movie Mode	Set to movie mode		
	Low Blue Light Mode	Set to low blue light mode		
	RTS	Set to RTS mode		
	Single Window	Only display the main window	Select an input source	
Window Settings	Picture-by-Picture (PBP)	Display two video inputs side by side	Window 1 Input Source Window 2 Input Source	Single Window
	Picture-in-Picture (PIP)	Display the main window and a subwindow	Window 1 Input Source Window 2 Input Source Window 2 Position Window 2 Size	
	Language	Select the menu language	English/Español/Pycaol/ Francais/Italiano/Deutsch /Polski/IN.†)1	English
	Audio Input	Select an audio input source	HDMI 1/HDMI 2/ DP 1/DP 2	/
Settings	Volume	Adjust the monitor's volume	0-100	50
	FreeSync	/	On/Off	Off
	Information	Monitor information such as current resolution/input source	/	/
	Restore Factory Settings	/	/	/

Eye Health

To avoid eyestrain, or neck, arm, elbow, and shoulder pain caused by using the computer for a long time, please follow the suggestions listed below:

- Keep the monitor at a distance of 20–28 inches (approx. 50–70 cm) from your eyes.
- Blink more often to relieve eye fatigue when staring at the monitor.
- Give your eyes a 20-minute break after using the monitor for two hours.
- Take your eyes off the monitor and look at something a certain distance away for at least 20 seconds.
- Stretch your body to help relieve tension on the neck, arms, back, and shoulders.

Low Blue Light Description

In recent years, eye damage caused by blue light has attracted more and more attention. In general, the wavelength of blue light is 400–480 nm, and the wavelength of harmful blue light is 415–455 nm.

This monitor has a function to help reduce your exposure to blue light emission. You can enable the low blue light mode via the settings menu.

Precautions

- Do not use this monitor in damp or humid environments such as bathrooms, kitchens, basements, or near swimming pools.
- Make sure the monitor is placed on a stable surface. If the monitor falls down or is knocked over, it may cause personal injury or damage to the monitor.
- Store and use the monitor in a cool, dry, ventilated place. Keep the monitor away from radiation and heat sources.
- Do not cover or block the heat dissipation vents on the back of the monitor. Do not place the monitor on a bed, sofa, blanket, etc.
- The monitor's operating voltage range is indicated on a label on the back of the monitor. If you are unsure what voltage your power supply is, please contact the monitor's distributor or local power company.
- If you do not plan to use the monitor for a long period of time, unplug it from the electrical outlet so as to prevent possible damage from power surges or lightning strikes.
- Do not overload electrical outlets, as this may cause a fire or an electric shock.
- Do not insert any foreign objects into the monitor, as this may cause a short circuit which can lead to a fire or an electric shock.
- Do not attempt to disassemble or repair the monitor yourself to avoid the risk of an electric shock. If the monitor is not functioning properly, please contact our after-sales service department for assistance.
- Do not excessively pull, twist, or bend the power cord.

Troubleshooting

Issue	Possible Causes	Solutions
Unable to turn on	No power	<ul style="list-style-type: none"> • Make sure the power cord is plugged in properly. • Press the on/off button to turn on the monitor.
Image is dark	Brightness/ Contrast not adjusted properly	<ul style="list-style-type: none"> • Adjust the brightness and contrast.
Image is jittery or has ripples	Interference	<ul style="list-style-type: none"> • Keep the monitor away from electronic devices that may cause electrical interference.
The indicator is blinking, no image on the screen	No signal, entering sleep mode...	<ul style="list-style-type: none"> • Turn on the computer. • Make sure the computer's graphics card is working properly. • Make sure the DisplayPort cable is plugged in properly.
Monitor displays: Out of range	Resolution is incorrect	<ul style="list-style-type: none"> • Use the specified recommended resolution settings.

Specifications

Name	Mi Curved Gaming Monitor 34"
Model	XMMNTWQ34
Rated Voltage	100-240 V –
Rated Frequency	50/60 Hz
Rated Current	2 A
Rated Power	54 W (TYP), 80 W Max.
Screen Size	34"
Viewable Image Size (Diagonal)	86.36 cm
Dot Pitch	0.07725 (H) × 0.23175 (V)
Brightness	300 cd/m ² (TYP)
Contrast	3000:1 (TYP)
Color Gamut	16.7 M
Aspect Ratio	21:9
Response Time	4 ms (GTG)
Maximum Resolution	3440 • 1440
Recommended Resolution	3440. 1440
Refresh Rate	144 Hz
Item Dimensions	810.39 (L) . 242.53 (W) . 520.61 (H) mm
Net Weight	8 kg
Operating Temperature	0°C to 45°C
Operating Humidity	10-90% RH
Atmospheric Pressure	86-106 kPa

Regulatory Compliance Information

WEEE Disposal and Recycling Information



■ All products bearing this symbol are waste electrical and electronic equipment (WEEE as in directive 2012/19/EU) which should not be mixed with unsorted household waste. Instead, you should protect human health and the environment by handing over your waste equipment to a designated collection point for the recycling of waste electrical and electronic equipment, appointed by the government or local authorities. Correct disposal and recycling will help prevent potential negative consequences to the environment and human health. Please contact the installer or local authorities for more information about the location as well as the terms and conditions of such collection points.

EU Declaration of Conformity



We, Xiaomi Communications Co., Ltd., hereby, declare that this equipment is in compliance with the applicable Directives and European Norms, and amendments. The full text of the EU declaration of conformity is available at the following internet address:

<http://www.mi.com/global/service/support/declaration.html>

For the Product Information Sheet, please scan the QR code below.



<https://eprel.ec.europa.eu/qr/373743>



Xiaomi Communications Co., Ltd.

Address: #019, 9th Floor, Building 6, 33 Xi'erqi Middle Road, Haidian District,
Beijing, China, 100085

For further information, please go to www.mi.com

Documents / Resources



[xiaomi 6934177720543 Curved Gaming Monitor 34 \[pdf\] User Manual](#)
6934177720543, Curved Gaming Monitor 34

References

- [Mi Global Home](#)
- [404 - Mi](#)
- [Xiaomi United States - Xiaomi United States](#)
- [404 - Xiaomi Global](#)

Manuals+

- [home](#)
- [privacy](#)