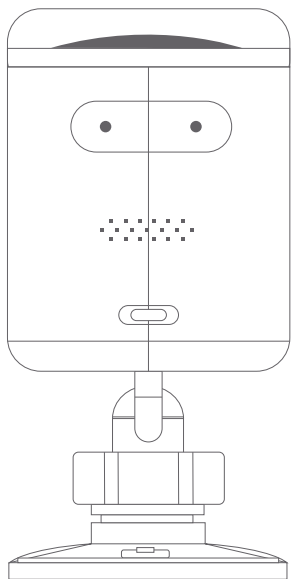


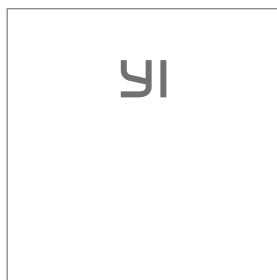


YI Outdoor Camera 1080p Instructions

1. In the box



Camera x 1 + Base x 1



Manual x 1

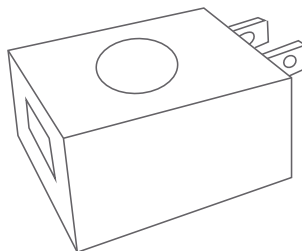


Clip x 8

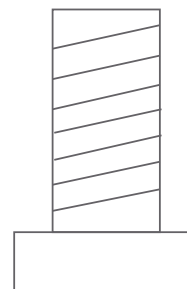


Wall Anchor x 10

Screwdriver x 1

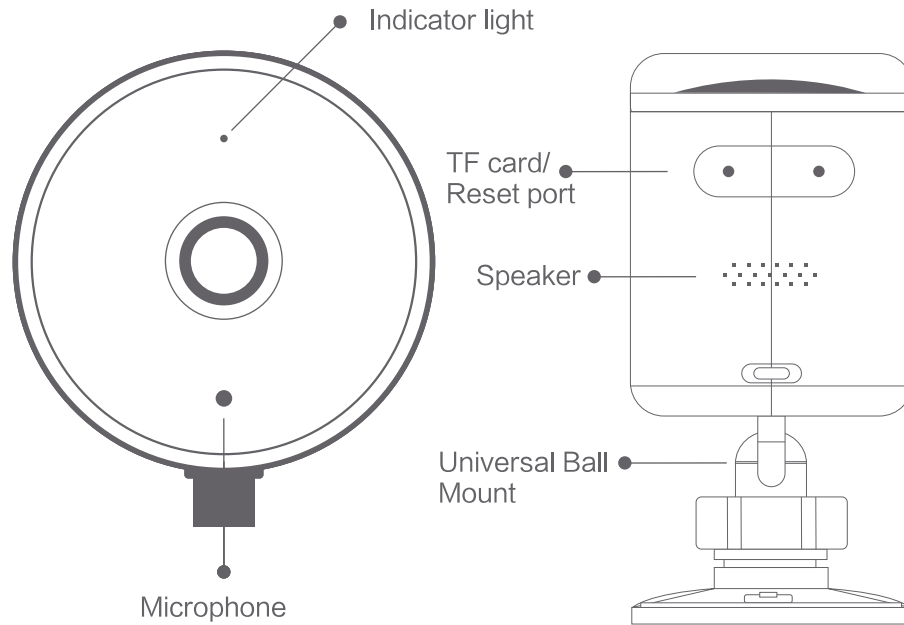


Adapter x 1



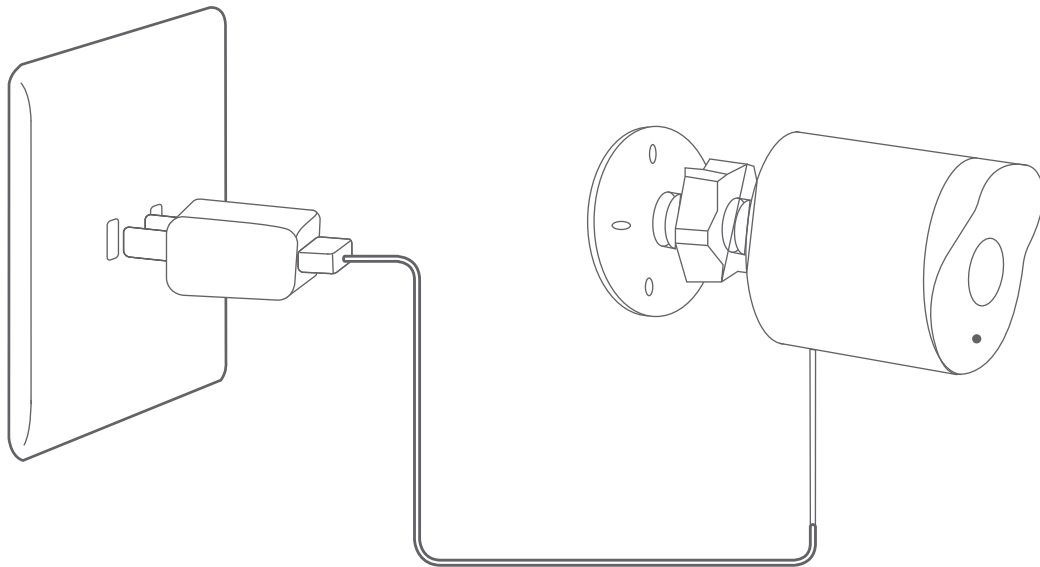
Mounting Screw x 10

2. Camera parts



3. Basic instructions

- 1). Pair your outdoor camera with the YI Home App.
- 2). Before mounting outside, plan the route of the cable from the power outlet to the camera.
- 3). Keep the camera close to the router.



4). Download YI Home App

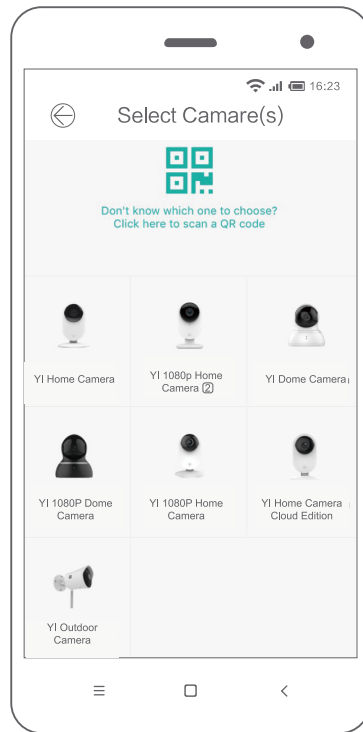
- a. Scan QR code to download YI Home App
- b. Open the app and register an YI account
- c. If you already have an YI account, you can log in directly, add the camera according to prompt voice
- d. Follow the instructions on app interface



YI Home App QR Code

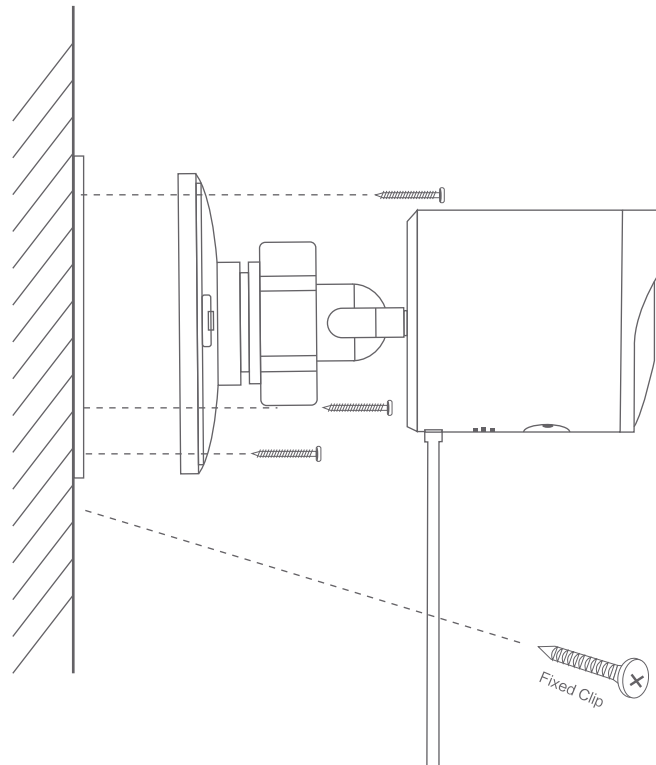
5). Add YI Outdoor Camera to your YI account

- a. After you login to the YI Home App, touch the '+' icon on the top right of the screen to add a new device.
- b. Select YI Outdoor Camera to begin pairing. When yellow light blinks and "Waiting to connect" is heard, touch "The prompt voice has been heard".
- c. Enter SSID and Wi-Fi password, then use your YI Outdoor Camera to scan the QR code.
- d. When successfully scanned, touch 'Next Step' to finish pairing.
- e. Once you hear "Pairing is successful", you can begin using your YI Outdoor Camera.

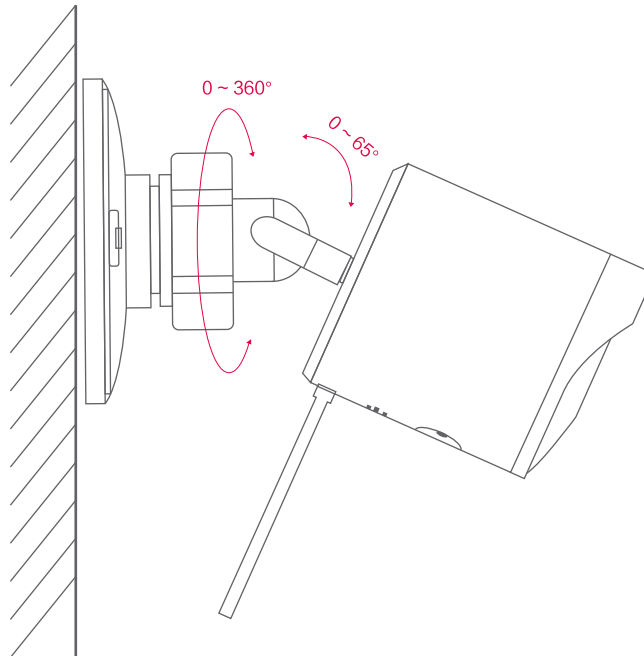


4. Mount device

- 1). Use the base's screw holes as a template to mark the drill spots. Remove base and drill holes on the marked spots.
- 2). Align the base and attach using the screws. wall anchors may be required. If you are mounting the device to a wooden wall, you can screw the mount directly to the wall.
- 3). Use the clip to fasten power cords, don't fasten too tightly.



- 4). Bring your camera to the mounting spot.
- 5). Attach your camera to the mounted base.
- 6). Ensure your camera can connect to the nearest Wi-Fi spot.
- 7). If you've already successfully paired your camera with your smartphone, the camera will automatically connect to Wi-Fi when powered on.
- 8). Now you can preview the video on your smartphone, if you are unable to do this it may be caused by poor network, please adjust the router's position.
- 9). When previewing the feed, you should adjust the camera angle to a suitable position, then tightly lock the universal ball mount.



5. When mounting pay attention to the following

- a. Avoid direct sunlight
- b. Mind any plants or objects that may obstruct the view
- c. We suggest you mount within a 10 meter range of your router

6. Basic parameters

- **Maximum resolution:** 1920 x 1080
- **Lens:** 110° Wide-Angle
- **Audio:** Built-in Mic/Speaker
- **Video compression:** H.264 High Profile
- **Photographic enhancement:** 3D digital noise reduction, distortion correction
- **Alert mode:** Motion detection
- **Waterproof grade:** IP65
- **Night Vision:** IR Cut+Infrared LEDs
- **Support platform:** Android 4.1/iOS 8.0 or above
- **Wireless encryption:** WEP/WPA/WPA2
- **Length of USB cable:** 3 meters
- **Power supply:** DC5V1A

This device complies with Part 15 of the FCC Rules / Industry Canada licence-exempt RSS standard(s). Operation is subject to the following two conditions: (1) this device may not cause harmful interference, and (2) this device must accept any interference received, including interference that may cause undesired operation.

Le présent appareil est conforme aux CNR d'Industrie Canada applicables aux appareils radio exempts de licence. L'exploitation est autorisée aux deux conditions suivantes : (1) l'appareil ne doit pas produire de brouillage, et (2) l'utilisateur de l'appareil doit accepter tout brouillage radio électrique subi, même si le brouillage est susceptible d'en compromettre le fonctionnement.

Changes or modifications not expressly approved by the party responsible for compliance could void the user's authority to operate the equipment.

This equipment has been tested and found to comply with the limits for a Class B digital device, pursuant to part 15 of the FCC Rules. These limits are designed to provide reasonable protection against harmful interference in a residential installation. This equipment generates uses and can radiate radio frequency energy and, if not installed and used in accordance with the instructions, may cause harmful interference to radio communications. However, there is no guarantee that interference will not occur in a particular installation. If this equipment does cause harmful interference to radio or television reception, which can be determined by turning the equipment off and on, the user is encouraged to try to correct the interference by one or more of the following measures:

- Reorient or relocate the receiving antenna.
- Increase the separation between the equipment and receiver.
- Connect the equipment into an outlet on a circuit different from that to which the receiver is connected.
- Consult the dealer or an experienced radio/TV technician for help.

Under Industry Canada regulations, this radio transmitter may only operate using an antenna of a type and maximum (or lesser) gain approved for the transmitter by Industry Canada. To reduce potential radio interference to other users, the antenna type and its gain should be so chosen that the equivalent isotropically radiated power (e.i.r.p.) is not more than that necessary for successful communication.

Conformément à la réglementation d'Industrie Canada, le présent émetteur radio peut fonctionner avec une antenne d'un type et d'un gain maximal (ou inférieur) approuvé pour l'émetteur par Industrie Canada. Dans le but de réduire les risques de brouillage radioélectrique à l'intention des autres utilisateurs, il faut choisir le type d'antenne et son gain de sorte que la puissance isotrope rayonnée équivalente (p.i.r.e.) ne dépasse pas l'intensité nécessaire à l'établissement d'une communication satisfaisante.

MPE Requirements

To satisfy FCC / IC RF exposure requirements, a separation distance of 20 cm or more should be maintained between the antenna of this device and persons during device operation. To ensure compliance, operations at closer than this distance is not recommended.

Les antennes installées doivent être situées de façon à ce que la population ne puisse être exposée à une distance de moins de 20 cm. Installer les antennes de façon à ce que le personnel ne puisse approcher à 20 cm ou moins de la position centrale de l'antenne.

La FCC des États-Unis stipule que cet appareil doit être en tout temps éloigné d'au moins 20 cm des personnes pendant son fonctionnement.



FCC ID: 2AFIB-YHS3017