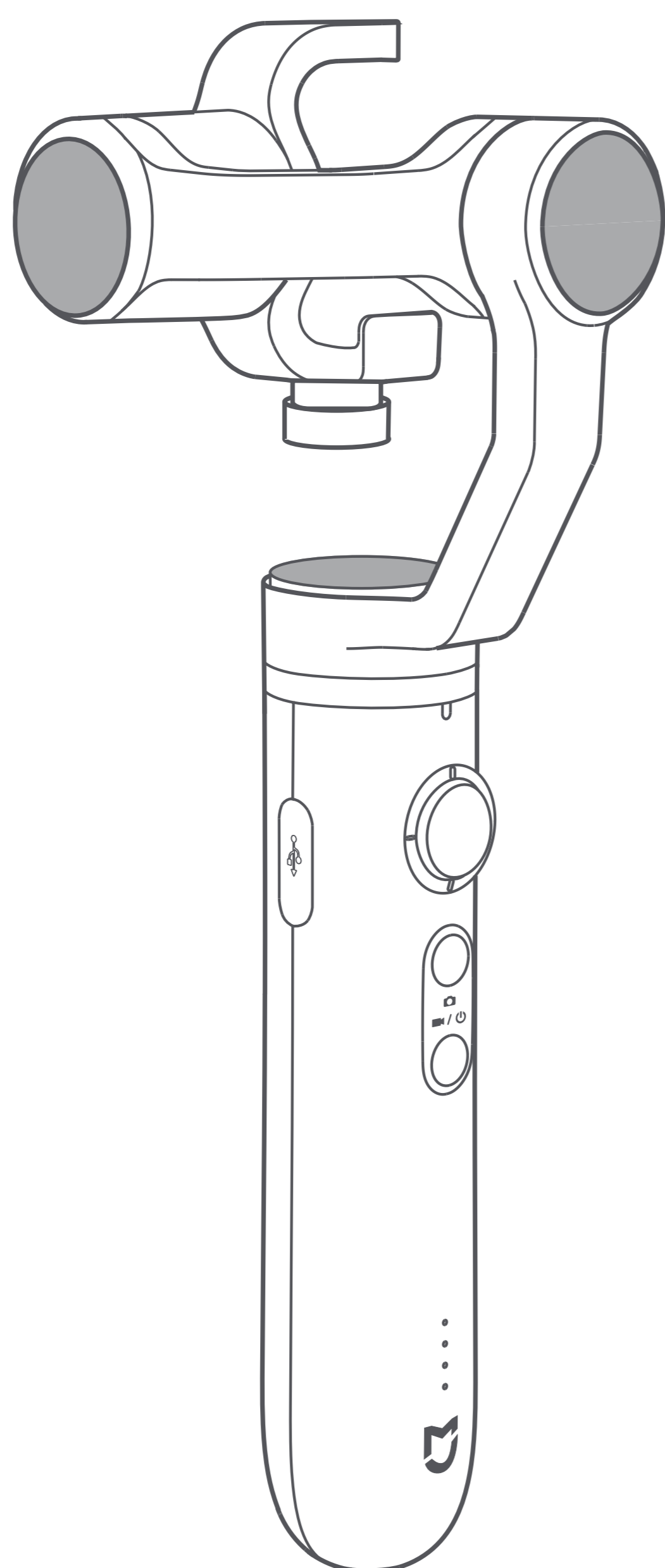


Mi Action Camera Handheld Gimbal User Manual

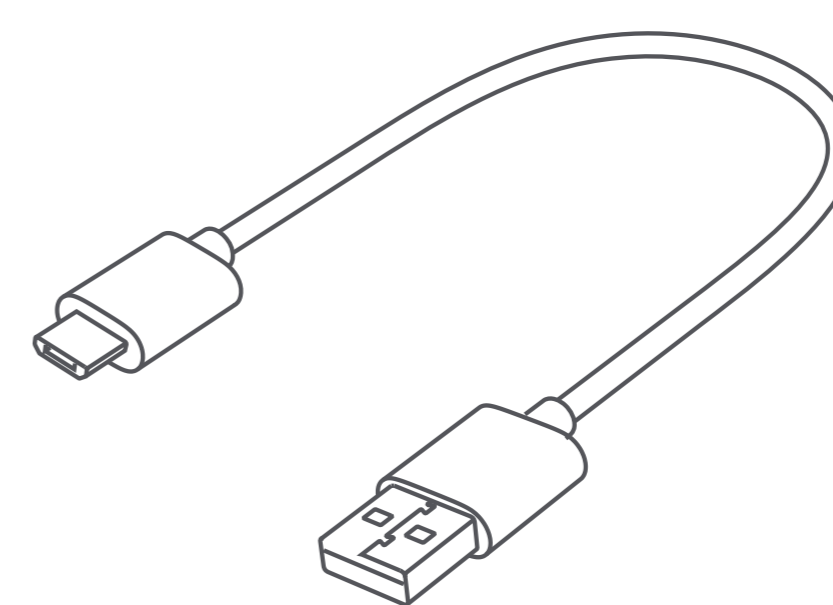
Read this manual carefully before use, and retain it for future reference



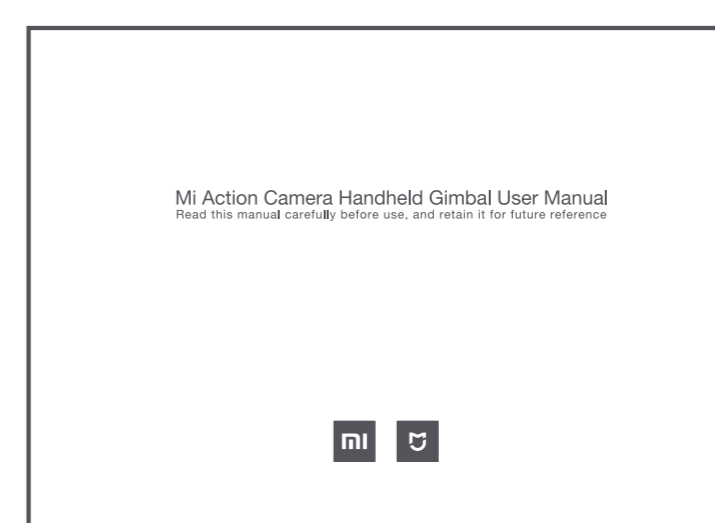
1、Package Contents



Handheld Gimbal x1

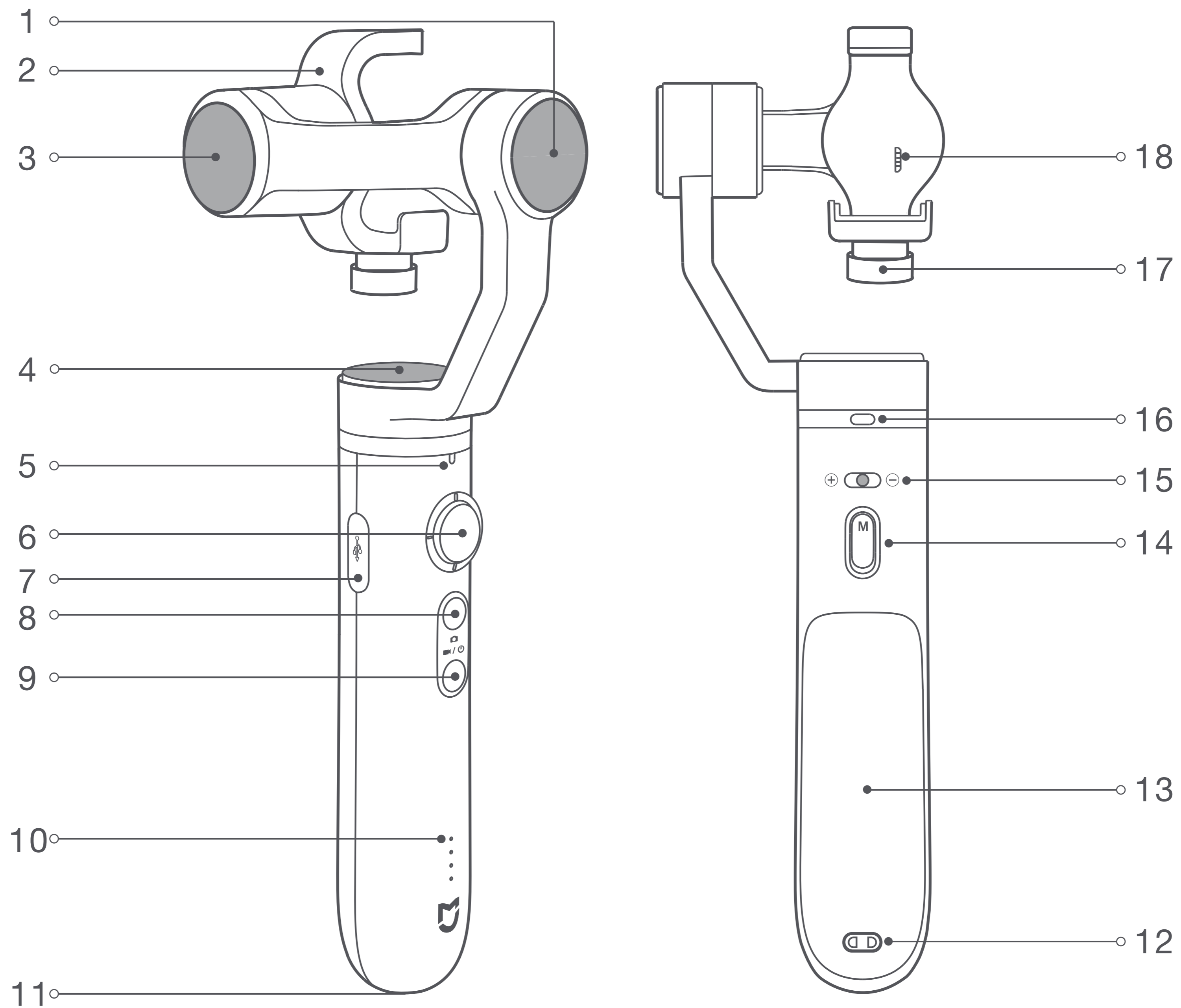


USB Charging Cable x1



User Manual x1

2. Product Overview



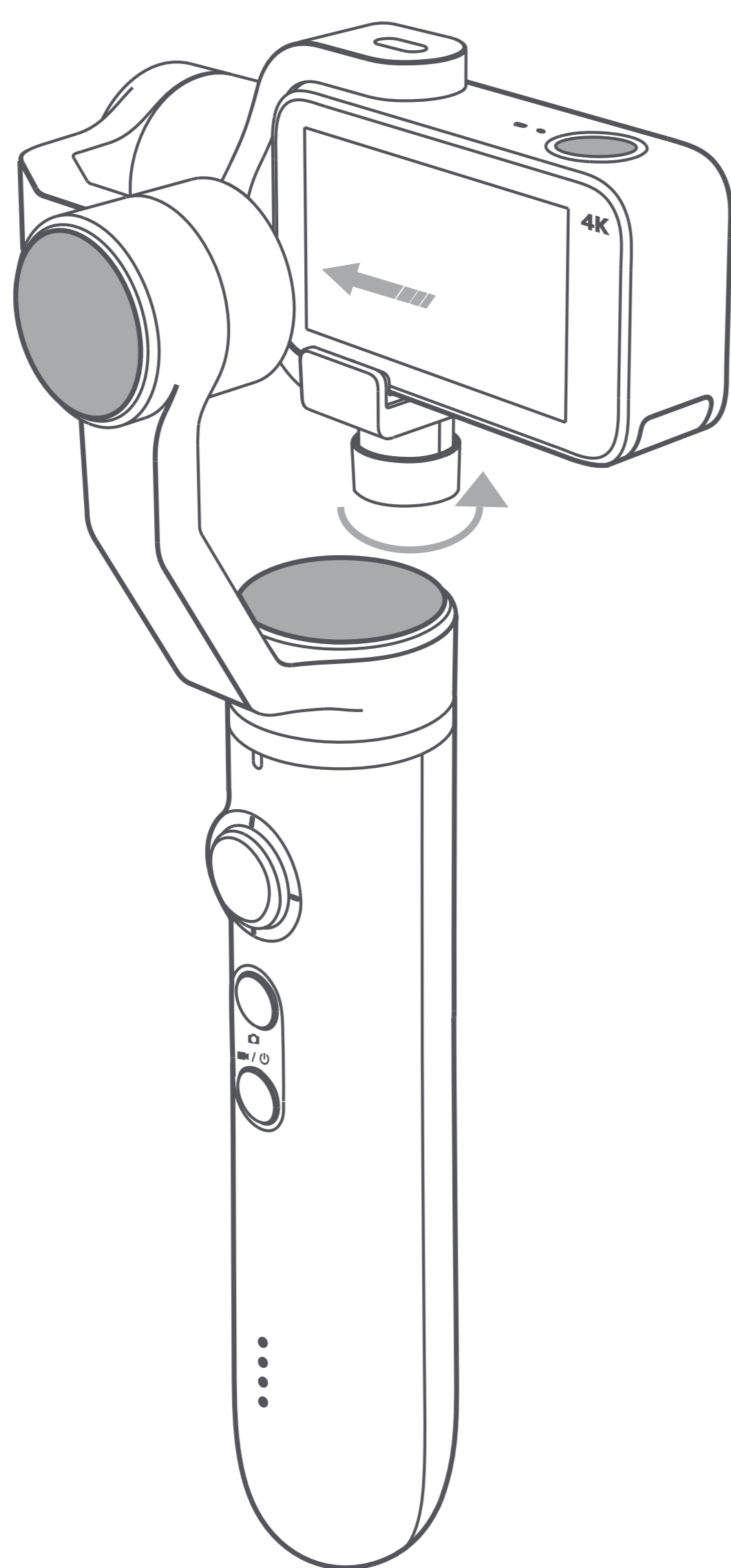
- 1. Roll Axis
- 2. Camera Holder
- 3. Pitch Axis
- 4. Pan Axis
- 5. Status Indicator
- 6. Four-way Joystick

- 7. Charging Port
- 8. Photo Button
- 9. Video/Power Button
- 10. Power Indicator
- 11. 1/4" Screw Hole
- 12. Strap Hole

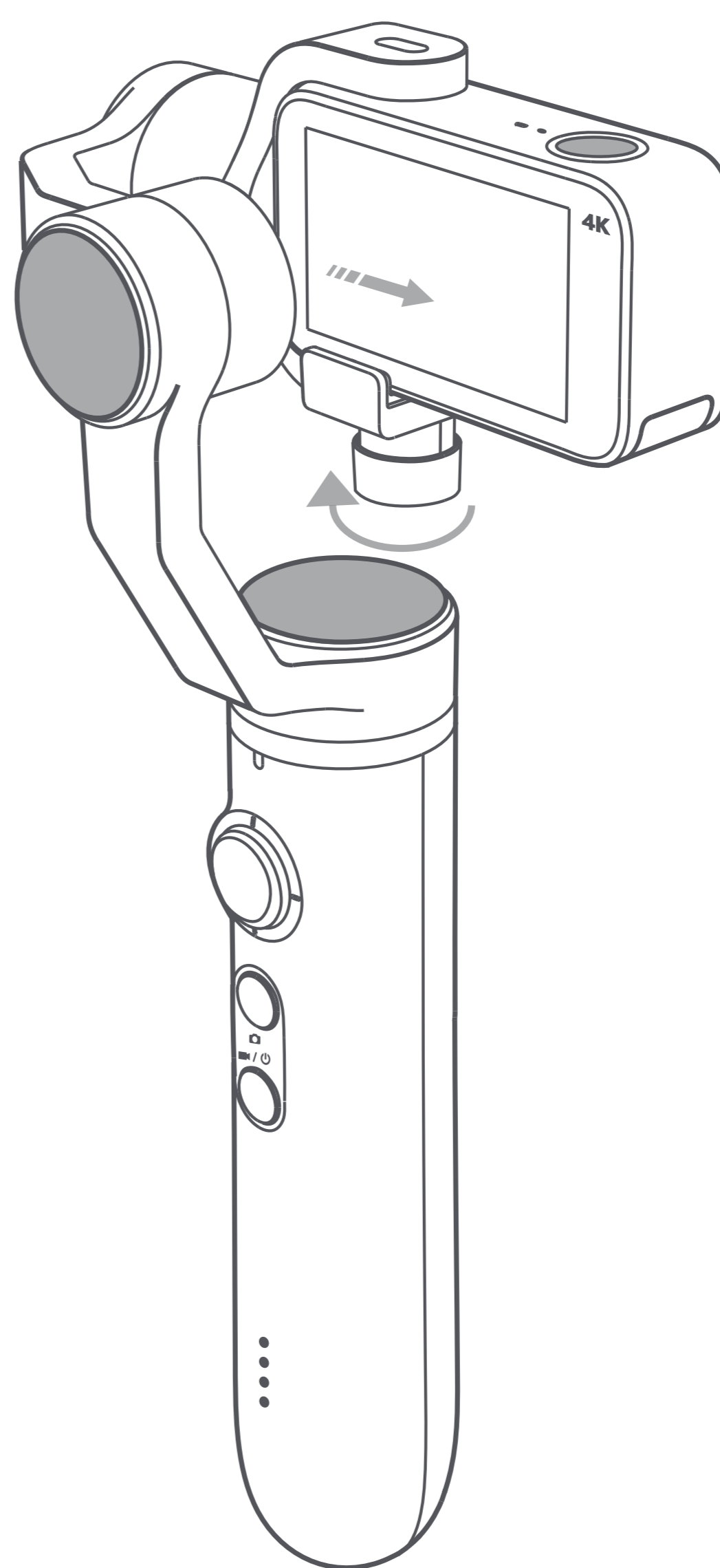
- 13. Non-slip Pad
- 14. Trigger Button
- 15. Toggle Switch
- 16. Locating Slot
- 17. Camera Fastener
- 18. Camera Connector

3. Mounting and Dismounting

- a. Make sure your Handheld Gimbal is turned off before mounting Mi Action Camera 4K. Insert Mi Action Camera 4K into the camera holder, and turn the fastener clockwise to fix it.
- b. Make sure your Handheld Gimbal is turned off before dismounting Mi Action Camera 4K. Turn the fastener counterclockwise until it's loose and remove Mi Action Camera 4K.



Mounting Mi Action Camera 4K

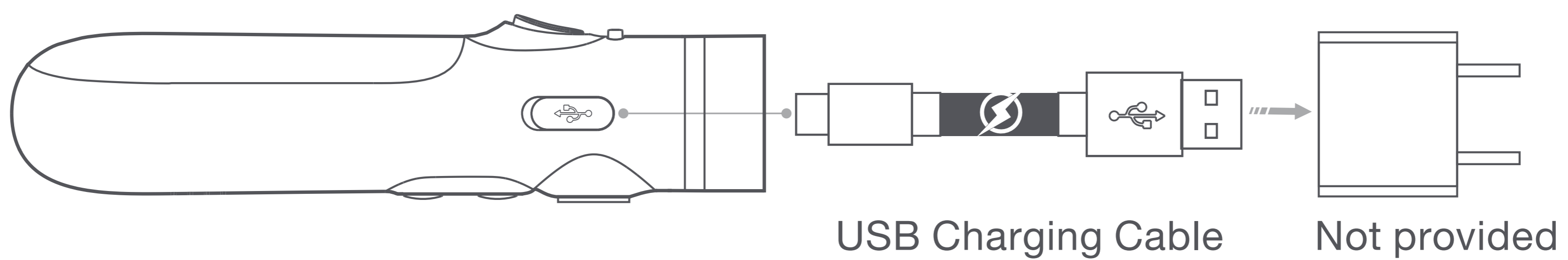


Dismounting Mi Action Camera 4K

Note: do not remove Mi Action Camera 4K until it is powered off.

4. Charging

Charge your Handheld Gimbal with the provided USB cable or your data cables.



Note:

- It is recommended to turn off your Handheld Gimbal before charging.
- Fully charge the battery on its first use with a 5V --- 2A power adapter. Charging time is approximately 4 hours.

5. Operating Instructions

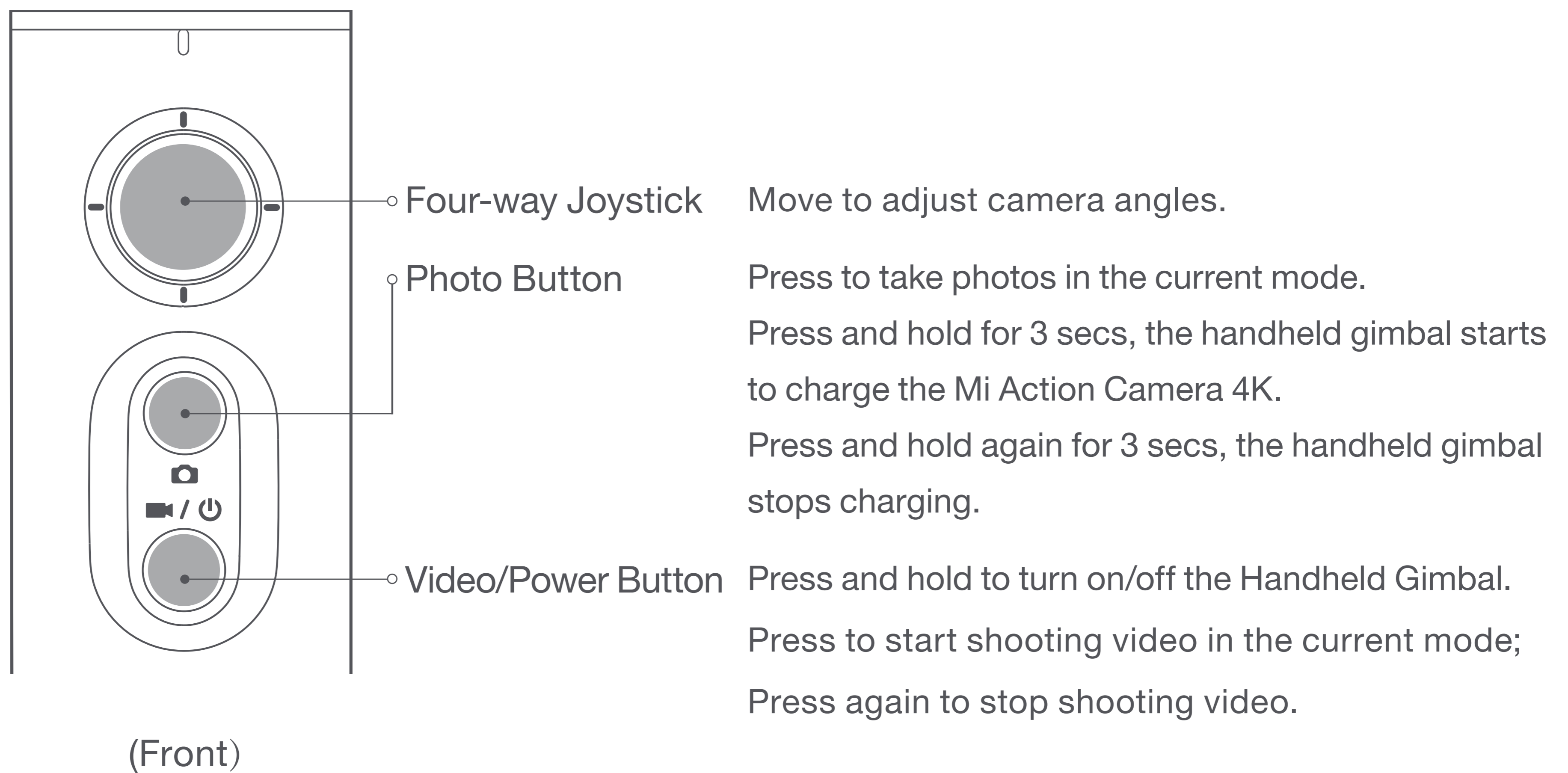
Make sure that your Mi Action Camera 4K is properly connected to the Handheld Gimbal.

a. Turning on/Turning off

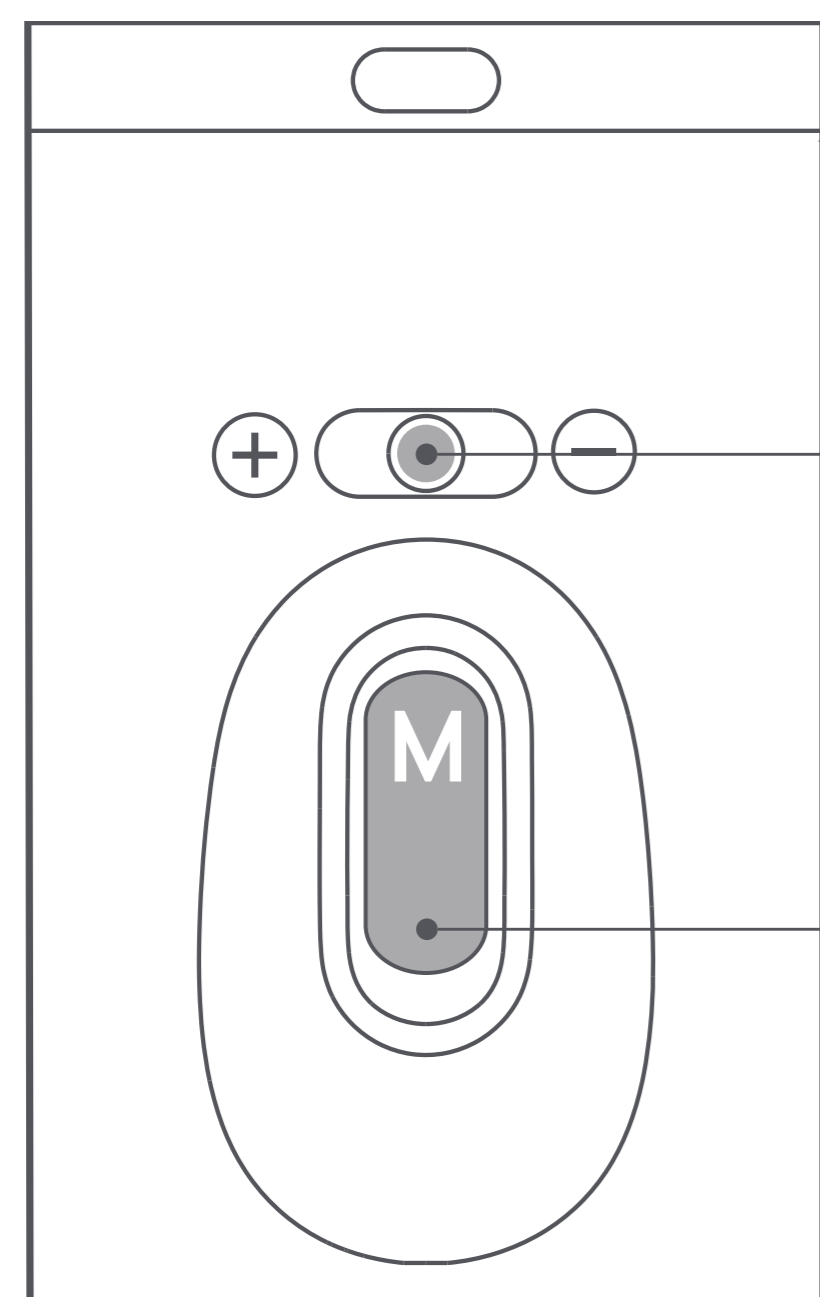
Turning on: Press and hold the power button to turn on the Handheld Gimbal, and the status indicator goes on.

Turning off: Press and hold the power button to turn off the Handheld Gimbal, and the status indicator goes off.

b. Button Function



Note: when in the Gallery or Settings page, press photo or video/power button to go back to the Preview page.



(Back)

Toggle Switch

Set the toggle to "⊕" to increase exposure value.
Set the toggle to "⊖" to decrease exposure value.

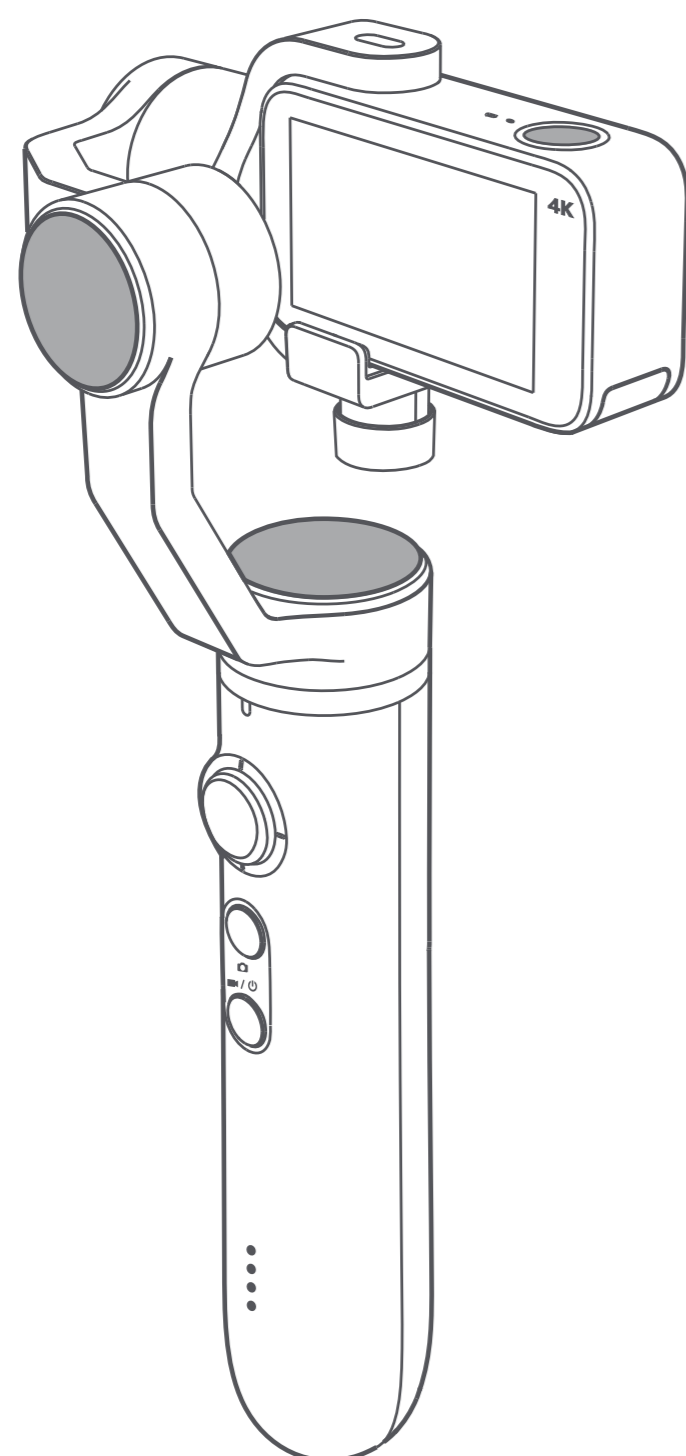
Trigger Button

Button to control the camera to change position.
Press and hold to lock pan and pitch axis.

Note: press and hold photo and trigger button for 3 secs to enter the button lock mode. To unlock, press and hold both buttons again for 3 secs.

c. Operating Modes

Vertical mode: when the handle is vertically placed at an angle of more than 30° to the ground, the mode activates automatically.



(Neutral Position)

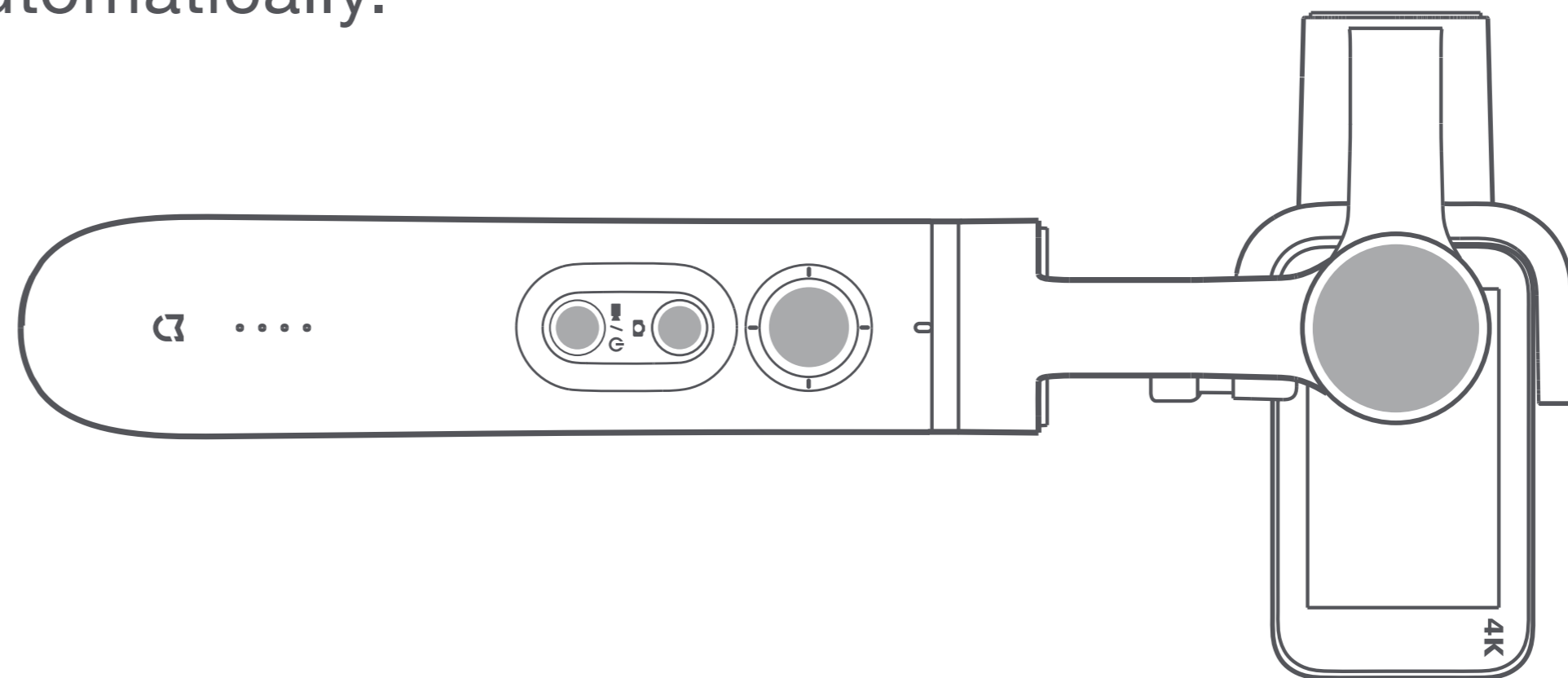
Trigger button: Double press to restore neutral position.

Triple press to control the lens to face the four-way joystick.

Press and hold to lock pan and pitch axis.

Four-way joystick: Control pan and pitch axis to follow.

Horizontal mode: when the vertical handle leans to the left or right at an angle of less than 30° to the ground, the mode activates automatically.



Trigger button: Double press to restore neutral position.

Triple press to rotate the lens clockwise by 90°.

Press and hold to lock pitch axis.

(Neutral Position)

Four-way joystick: Control pitch axis to follow.

Upside-down mode: when the handle is placed upside down, the mode activates automatically.

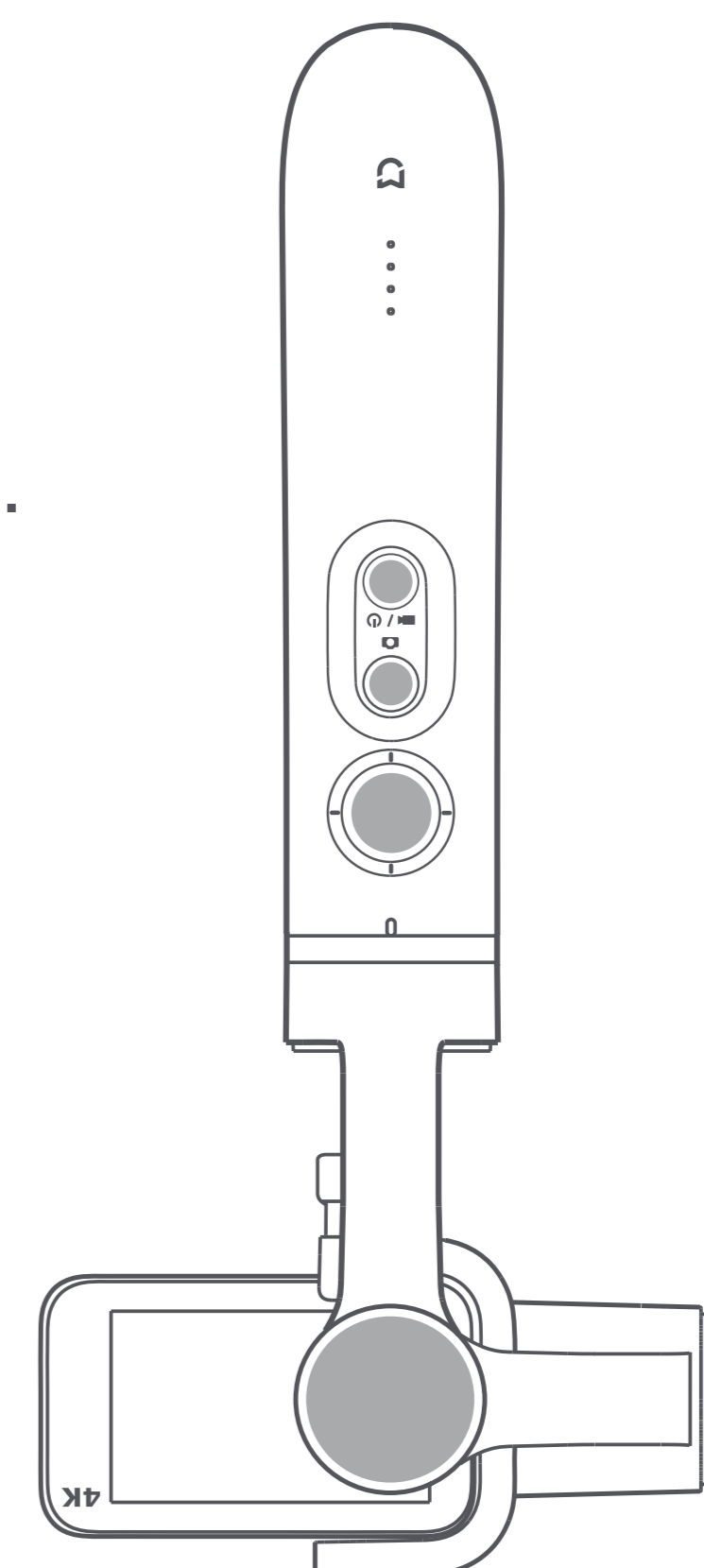
Trigger button: Double press to restore neutral position.

Triple press to control the lens to face the four-way joystick.

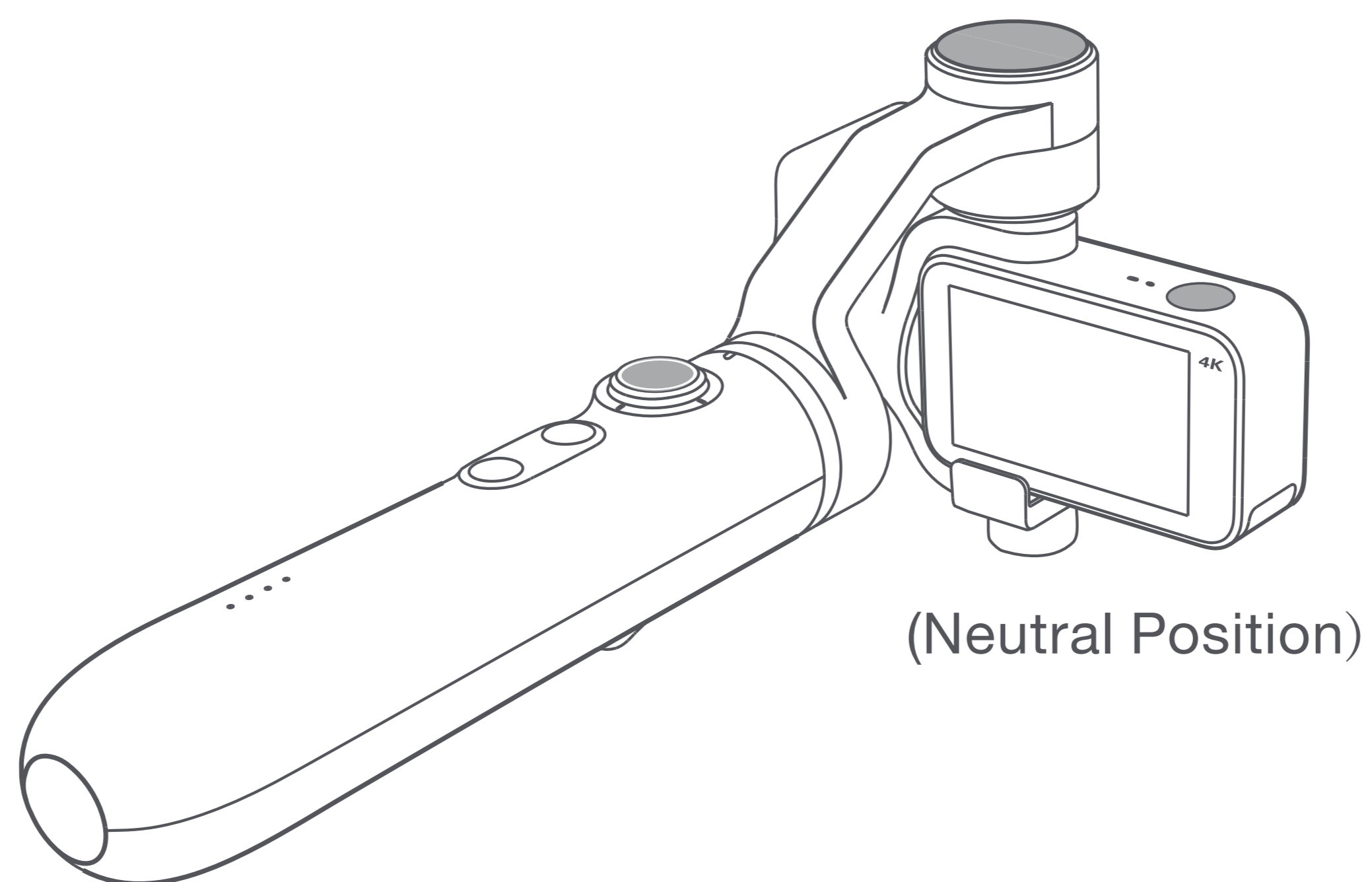
Press and hold to lock pan and pitch axis.

Four-way joystick: Control pan and pitch axis to follow.

(Neutral Position)



Flashlight mode: Rotate the gimbal from the vertical mode forward or backward at an angle of less than 30° to the ground, then gimbal will automatically switch to flashlight mode.



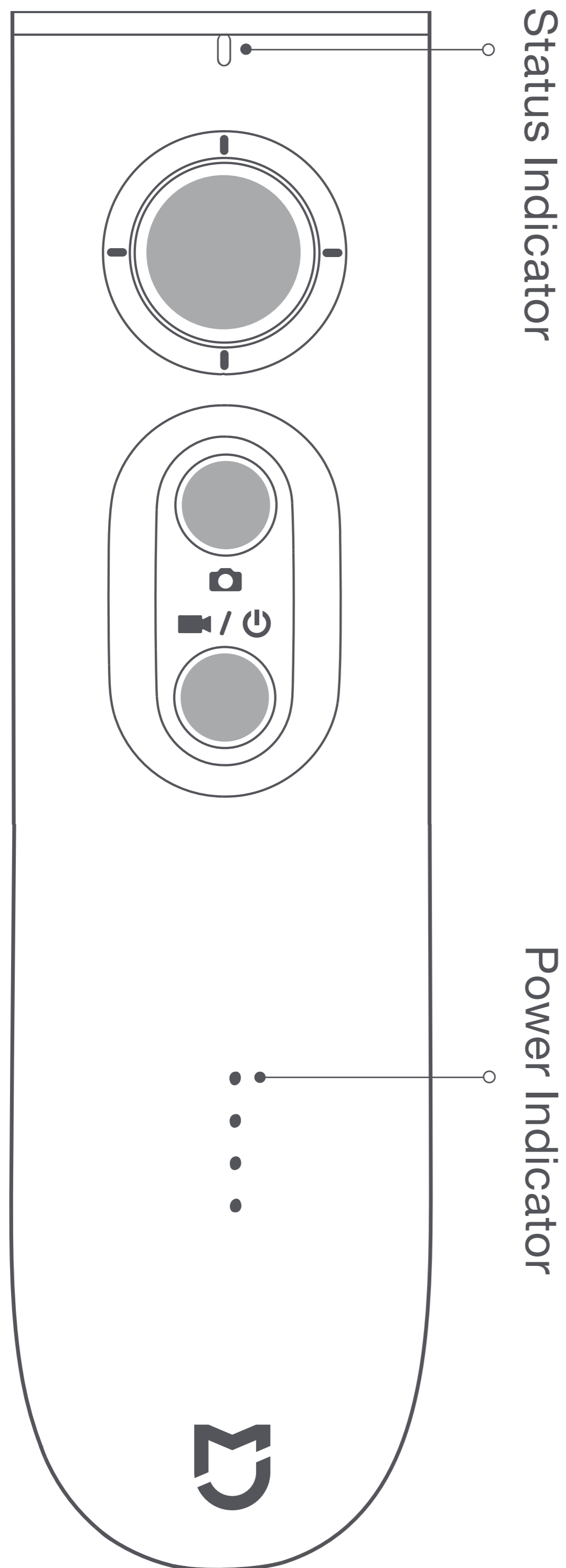
Trigger button: Double press to restore neutral position.

Triple press to rotate the lens clockwise by 90° .

Press and hold to lock pitch axis.

Four-way joystick: Control pitch axis to follow.

d. Indicator



Status	Description
Blue light on	camera properly connected
Blue/Red light blinking	upgrading
Red light blinking	shooting
Red light on	camera connection error

Status	Description
Lights on one by one	turning on
Lights off one by one	turning off
Lights blinking	charging
Lights off	fully charged

Note: press power button to check current power level.

6、 Quick Setup

Control your device and interact it with other smart home devices in Mi Home App.

a. Install Mi Home App

Scan the QR code or go to App store to download and install Mi Home app.

b. Add and connect Mi Action Camera 4K



7、 Specifications

Name: Mi Action Camera Handheld Gimbal

Model: MJWDQ01FM

Dimensions: 76.5 x 71.0 x 258.0 mm

Weight: 340g (Mi Action Camera excluded)

Power consumption: 2.5W

Input: 5V \Rightarrow 1.8A

Pitching angle: $-35^{\circ}\sim+90^{\circ}$

Precision control: $\pm 0.02^{\circ}$

Panning angle: 360°

Operating temperature: $0^{\circ}\text{C}\sim 40^{\circ}\text{C}$

8、 Precaution

- a. Do not use Action Camera Handheld Gimbal when the temperature is below 0°C as battery capacity decreases tremendously in low-temperature conditions.
- b. Action Camera Handheld Gimbal features overcurrent protection function. The motor stops working when the device enters overcurrent protection mode, and resumes working after double pressing the trigger button.

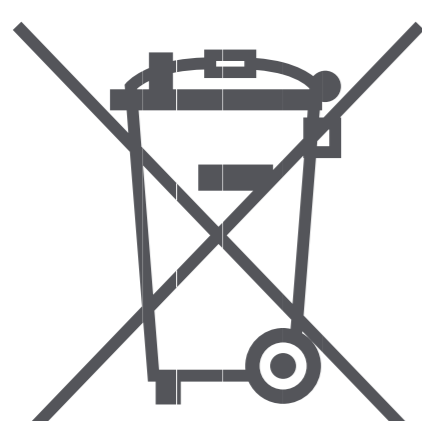
This device complies with Part 15 of the FCC Rules. Operation is subject to the following two conditions: (1) this device may not cause harmful interference, and (2) this device must accept any interference received, including interference that may cause undesired operation.

Please note that changes or modifications not expressly approved by the party responsible for compliance could void the user's authority to operate the equipment.

NOTE: This equipment has been tested and found to comply with the limits for a Class B digital device, pursuant to Part 15 of the FCC Rules. These limits are designed to provide reasonable protection against harmful interference in a residential installation. This equipment generates, uses and can radiate radio frequency energy and, if not installed and used in accordance with the instructions, may cause harmful interference to radio communications. However, there is no guarantee that interference will not occur in a particular installation. If this equipment does cause harmful interference to radio or television reception, which can be determined by turning the equipment off and on, the user is encouraged to try to correct the interference by one or more of the following measures:

- Reorient or relocate the receiving antenna.
- Increase the separation between the equipment and receiver.
- Connect the equipment into an outlet on a circuit different from that to which the receiver is connected.
- Consult the dealer or an experienced radio/TV technician for help.

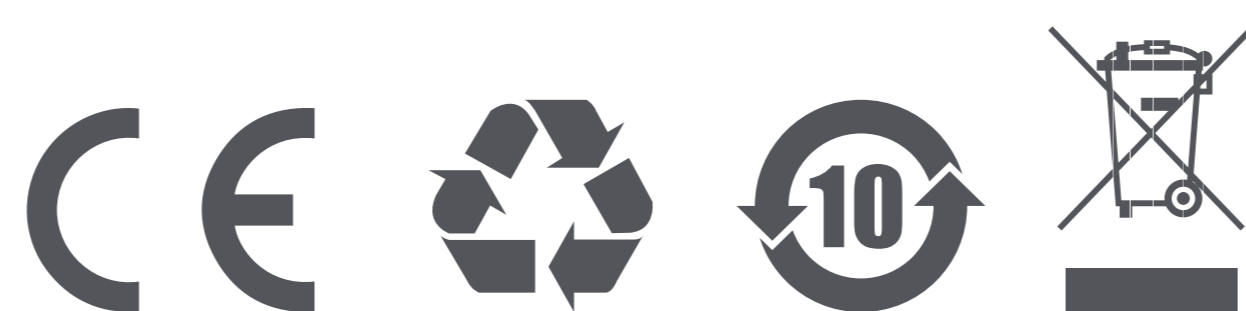
Environmentally friendly disposal



Old electrical appliances must not be disposed of together with the residual waste, but have to be disposed of separately. The disposal at the communal collecting point via private persons is for free. The owner of old appliances is responsible to bring the appliances to these collecting points or to similar collection points. With this little personal effort, you contribute to recycle valuable raw materials and the treatment of toxic substances.

Hereby, FIMI, declares that Mi Action Camera Handheld Gimbal is in compliance with the essential requirement and relevant provisions of Directive 2014/30/EU.

Manufactured by: Xiaomi Communications Co., Ltd.
Manufactured for: Beijing FIMI Technology Co., Ltd.
For further information, please go to www.mi.com/en/
Address: No.348, Floor 3, 1# Complex Building, Yongtaiyuan jia, Qinghe,
Haidian District, Beijing, China



注意 本页为工艺 颜色说明，成品印刷中无此页

纸张: 157g京东太空梭

成品尺寸: 110*110mm (公差正负0.5mm)

文字&线条为专色潘通冷灰11C

风琴摺

V1.2

料号: 04.04.001.0005

